



PROJECT		REF		REV	ITEM CODE	
LOCATION		DATE			PAGE	

## SANITARY WARE SPECIFICATION SHEET

Item Descriptions	Stern (Israel) "Tubular" Chrome plated wall-mounted sensor electronic faucet in 6x1.5AA DC Supply with <b>IP67 waterproof battery box</b>	Illustration/ Drawing																
Dimensions	170 mm Long																	
Model	Tubular B																	
Code Number	350200																	
Finish	Chrome Plated																	
Supplier	Acme Sanitary Ware Co. Ltd Mr. Eric Wong/ Mr. Don Yuen																	
Contact Tel/Fax	(852) 2388-7171 / (852) 2710-8012																	
E-mail	acme@acmesanitary.com.hk																	
Website	www.acmesanitary.com.hk																	
<p><b>TUBULAR B Ref # 350200</b></p> <p>Touch-free wall-mounted electronic faucet. Activated by an infrared sensor. For cold or premixed water. Chrome plated body, other finishes available. Adjustable setting by remote control: sensor range, security time, delay in, delay out, on-off and reset to factory settings.</p> <p><b>Application:</b> Wall-mounted faucet. Combines a minimalistic design with vandal resistant features. Helps washrooms stay clean and saves water. Easy installation. Long lasting even in the harshest installation sites. Ideal for shopping malls, sport facilities and entertainment centers.</p> <p><b>Use:</b> The faucet will automatically activate when users place their hands in the sensor range and will stop once the users remove their hands.</p>		<p> <b>Installation:</b> Wall mounted duct concealed</p> <p> <b>Water supply:</b> Cold or premixed water (1 inlet)</p> <p> <b>Water temperature:</b> Max 70 °C</p> <p> <b>Operating pressure:</b> 0.5 - 8.0 bar</p> <p> <b>Power source:</b> IP67 battery box</p> <p> <b>Stern Soap &amp; Water:</b> Tubular matching soap dispenser</p>																
<table border="1" style="width: 100%; border-collapse: collapse;"> <tr> <td style="background-color: #e0e0e0;"><b>Power supply for battery versions:</b></td> <td>6x1.5V AA battery (Tubular B) 1x9V battery (Tubular 2030B, Tubular DPB)</td> </tr> <tr> <td style="background-color: #e0e0e0;"><b>Power supply for electricity versions:</b></td> <td>9V transformer (Tubular E, DPE, 2030 E models)</td> </tr> <tr> <td style="background-color: #e0e0e0;"><b>Recommended water pressure:</b></td> <td>0.5-8.0 bar (7-116 PSI) With water pressure of more than 8 bars, use a pressure reducing valve for reduction</td> </tr> <tr> <td style="background-color: #e0e0e0;"><b>Sensor range:</b></td> <td>Self-adjusting sensor Adjustable with optional remote control</td> </tr> <tr> <td style="background-color: #e0e0e0;"><b>Minimum sensor range:</b></td> <td>35mm / 1.38"</td> </tr> <tr> <td style="background-color: #e0e0e0;"><b>Maximum sensor range:</b></td> <td>300mm / 11.81"</td> </tr> <tr> <td style="background-color: #e0e0e0;"><b>Security time:</b></td> <td>90 seconds. Can be reduced with optional remote control</td> </tr> <tr> <td style="background-color: #e0e0e0;"><b>Hot water temperature:</b></td> <td>Max. 70°C</td> </tr> </table>		<b>Power supply for battery versions:</b>	6x1.5V AA battery (Tubular B) 1x9V battery (Tubular 2030B, Tubular DPB)	<b>Power supply for electricity versions:</b>	9V transformer (Tubular E, DPE, 2030 E models)	<b>Recommended water pressure:</b>	0.5-8.0 bar (7-116 PSI) With water pressure of more than 8 bars, use a pressure reducing valve for reduction	<b>Sensor range:</b>	Self-adjusting sensor Adjustable with optional remote control	<b>Minimum sensor range:</b>	35mm / 1.38"	<b>Maximum sensor range:</b>	300mm / 11.81"	<b>Security time:</b>	90 seconds. Can be reduced with optional remote control	<b>Hot water temperature:</b>	Max. 70°C	
<b>Power supply for battery versions:</b>	6x1.5V AA battery (Tubular B) 1x9V battery (Tubular 2030B, Tubular DPB)																	
<b>Power supply for electricity versions:</b>	9V transformer (Tubular E, DPE, 2030 E models)																	
<b>Recommended water pressure:</b>	0.5-8.0 bar (7-116 PSI) With water pressure of more than 8 bars, use a pressure reducing valve for reduction																	
<b>Sensor range:</b>	Self-adjusting sensor Adjustable with optional remote control																	
<b>Minimum sensor range:</b>	35mm / 1.38"																	
<b>Maximum sensor range:</b>	300mm / 11.81"																	
<b>Security time:</b>	90 seconds. Can be reduced with optional remote control																	
<b>Hot water temperature:</b>	Max. 70°C																	

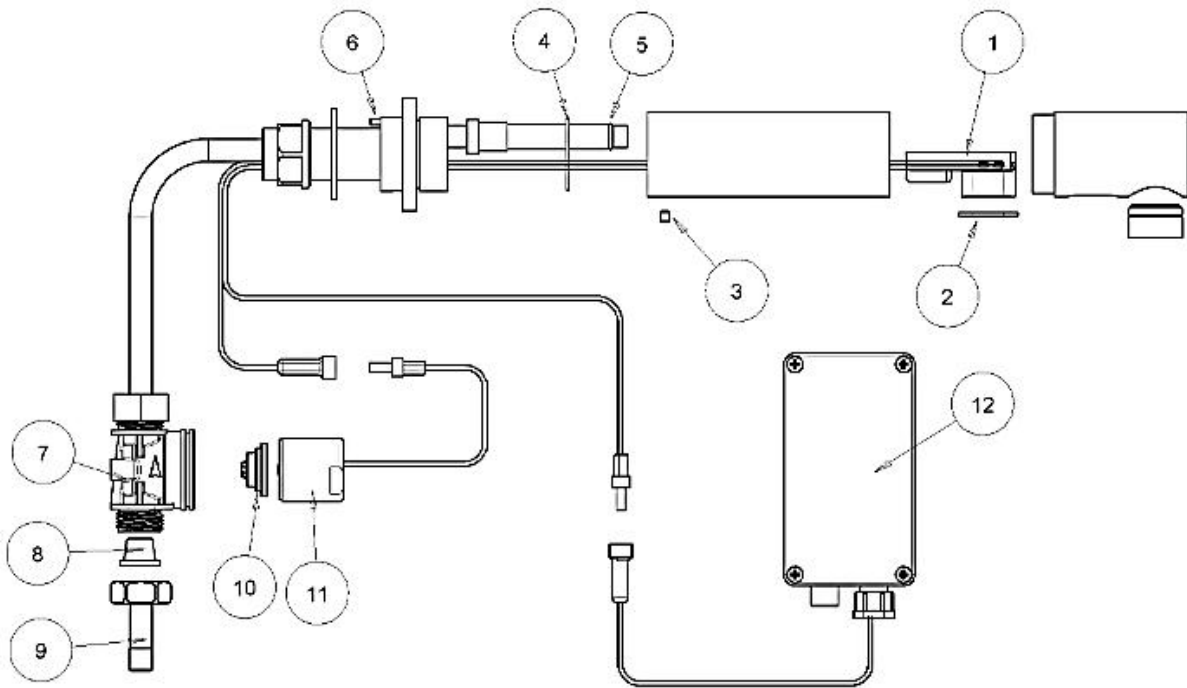
Note:

\* All information of the above is for the reference only. No prior notice is made if any changes.



## SPARE PARTS LIST

### TUBULAR B (350200)



Quantity	Part Number	Description	Cat. No.
-	-	<b>Seals and Screws Kit</b>	<b>07210015</b>
1	5	O-ring	
1	2	O-ring	
1	4	O-ring	
1	3	Screw	
1	6	Screw	
-	-	<b>Self Adaptive Sensor Kit</b>	<b>07220056</b>
1	1	Self Adaptive Sensor	
1	2	O-ring	
-	-	<b>Solenoid BS-Housing Kit</b>	<b>07231008</b>
1	7	Solenoid valve's body	
1	8	Filter	
1	9	Nipple	
-	-	<b>Solenoid Valve Kit</b>	<b>07230017</b>
1	11	Solenoid valve	
1	10	Diaphragm	
	10	<b>Diaphragm</b>	<b>04500001</b>
	12	<b>IP 67 Battery box</b>	<b>06530020</b>
	12	<b>Battery box</b>	<b>06530008</b>

**Note:** In order to locate the relevant spare part, please check the corresponding parts and part number in the drawing. Minimum order quantity will be required.

*\* All information of the above is for the reference only. No prior notice is made if any changes.*



Department

七號入境事務大樓 48 樓  
48/F, Immigration Tower, 7 Gloucester Road, Wan Chai, Hong Kong

本署檔號 : (4) in WSD 3321/2020 T/J(745/2020)  
Our ref.  
來函檔號 :  
Your ref.

電話 :  
Tel.  
傳真 : 2824 0578  
Fax.

13 July 2020

### Approval of "STERN" Sensor Tap (General Acceptance No. B20200046)

Your letter ref. HX/W/1285/20 dated 21 May 2020 and subsequent clarification by email on 30 June 2020 refer.

It is noted that the fitting described below has been accepted by the United Kingdom Water Regulations Advisory Scheme (WRAS) to have complied with the requirements of the United Kingdom Water Supply (Water Fitting) Regulations / Scottish Water Byelaws when correctly installed. This Authority accepts that the fitting described below based on the WRAS certificate and test report ref. 190492PC190015(1)D issued on 19 May 2020 by Fugro Technical Services Limited complies with, and its use when correctly installed does not contravene, the Waterworks Ordinance and Regulations.

**Name of Manufacturer:** Y Stern Engineering (1989) Ltd

**Country of Origin:** Israel

**Brand:** Stern

**Details of Fitting:** Range of wall mounted, single hole, single outlet (fixed) electronically controlled tap assembly (chromium plated brass body). The flow is controlled by a solenoid valve activated via an infra-red sensor. 1 no. of flexible hose



was included and approved by UK's WRAS under ref. 1710343. Maximum working pressure 8.0 bar. Maximum operating temperature 70°C.

**Model:** Tubular B  
**Size:** 10mm spigot  
**Body Markings:** *5.0mm* on head of spout

**WRAS Approval Number:** 1709026

**Installation Requirements:** R001, R007, R040

**Expiry Date:** 30 September 2022

In view of the acceptance by WRAS, this Authority has no objection to the use of the said fitting in fresh water plumbing systems subject to full adherence to Waterworks installation requirements. In particular, you are required to draw your customers' attention to the following installation requirements –

“Installation shall comply with the ‘Installation Requirements & Notes’ of the WRAS’s approval letter concerned.”

“A stop cock or gate valve must be installed at the upstream of the fitting for manual isolation of water supply.” AND

“The main voltage operated sensor valve should comply with the electricity safety regulation for applications in bathroom, toilet etc.”

A condition of this acceptance is that the fitting to be installed should be replicas of the sample certified by WRAS and no modification should be made to the fitting. This acceptance may be withdrawn at any time if the standard of the fitting installed fails to meet that of the approved sample or if the fitting is found to be unsuitable for use in fresh water plumbing systems.

This acceptance is only applicable to the main body of the fitting, unless otherwise specified.

For the use of the fitting in any project, the General Acceptance Number of this letter must be quoted as a means of identification of acceptance of the fitting by this Authority.



Should you have any enquiries, please contact our Engineer Mr. Terry KUNG at tel. no. 3583 4086.

Yours faithfully,



(CHAN Chung-kun)

for Director of Water Supplies

Encl.

c.c.    WSD 3321/1/82 ] - without catalogue  
         ME/MC        ] - with soft copy only



## INSTALLATION/INSTALACIÓN

## TUBULAR B / E

### STEP 1 – INSTALLING THE FAUCET/ PASO 1 - INSTALAR EL GRIFO

<p>1</p>	<p><b>(EN)</b> Shut off the water supply.</p> <p><b>(ES)</b> Cierre el suministro de agua.</p>	
<p>2</p>	<p><b>(EN)</b> Drill a hole (26 to 27 mm) where you want to install the spout of the faucet, and a small hole just above the previous one for the anti-rotation pin.</p> <p><b>(ES)</b> Corte un orificio (26-27 mm) en el lugar donde quiere instalar el caño del grifo, y un orificio pequeño justo encima del anterior para la clavija antirrotación</p>	
<p>3</p>	<p><b>(EN)</b> Remove the gasket, the disk, the nut and the flexible pipe from the base of the faucet and insert the faucet through the wall.</p> <p><b>Note:</b> To remove flexible pipe rotate counter clockwise.</p> <p><b>(ES)</b> Retire la junta, el disco, la tuerca y el tubo flexible de la base del grifo e inserte el grifo a través de la pared.</p> <p><b>Nota:</b> Para retirar el tubo flexible, gire en dirección contraria a las agujas del reloj.</p>	
<p>4</p>	<p><b>(EN)</b> Secure the rosette into position using the anti rotation pin.</p> <p><b>(ES)</b> Fije la roseta en su posición por medio de la clavija antirrotación.</p>	
<p>5</p>	<p><b>(EN)</b> Fix the base behind the wall with the hexagonal nut and the disk.</p> <p>Reinstall the flexible pipe into the base. Rotate the pipe clockwise.</p> <p><b>(ES)</b> Fije la base por detrás de la pared con la tuerca hexagonal y el disco.</p> <p>Coloque de nuevo el tubo flexible en la base. Gírelo en el sentido de las agujas el reloj.</p>	



# INSTALLATION/INSTALACIÓN

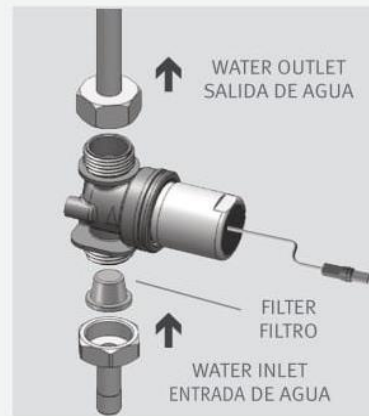
## TUBULAR B / E

### STEP 2 - CONNECTING THE WATER SUPPLY/ PASO 2 - CONEXIÓN DEL SUMINISTRO DE AGUA

1

**(EN)** Fit the flexible pipe coming from the product base to the solenoid valve housing. Fit the water supply inlet to the adapter at the solenoid valve housing.  
Inlet and outlet should follow the indicating arrow on the solenoid housing.

**(ES)** Conecte el tubo flexible que sale de la base del producto a la carcasa de la válvula solenoide. Conecte la entrada del suministro de agua al adaptador de la carcasa de la válvula solenoide.  
La entrada y la salida deben seguir la flecha indicativa que se encuentra en la carcasa de la solenoide.



**(EN)** Note: Make sure the filter is located between the solenoid housing and the water inlet.

**(ES)** NOTA: Asegúrese de que el filtro está colocado entre la carcasa de la solenoide y la entrada de agua.

2

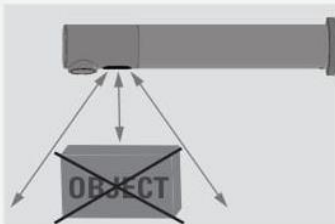
**(EN)** Connect the cable coming from the electronic unit to the solenoid valve.

**(ES)** Conecte el cable procedente de la unidad electrónica a la válvula solenoide.



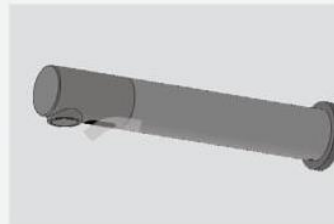
**(EN)** Important: This product includes a self adjusting sensor. The ideal sensor range for the specific location will be set automatically.

**(ES)** IMPORTANTE: Este producto incorpora un sensor autoadaptativo. El rango del sensor idóneo e ajustará automáticamente



**(EN)** Before proceeding, check that no objects are in front of the sensor besides the washbasin.

**(ES)** Antes de proceder, compruebe que no haya ningún objeto delante del sensor, aparte del lavabo.



**(EN)** Now, remove the protective sticker that covers the sensor.

**(ES)** Ahora retire la pegatina protectora que cubre el sensor.





## INSTALLATION/INSTALACIÓN

## TUBULAR B / E

### STEP 3 – CONNECTING THE POWER SOURCE/ PASO 3 - CONEXIÓN DE LA FUENTE DE ALIMENTACIÓN

1a

**(EN)** For Tubular B: Connect the other cable coming from the electronic unit at the product base to the battery box.

**(ES)** Para Tubular B: Conecte el otro cable proveniente de la unidad electrónica, en la base del producto, a la caja portapilas.

1b

**(EN)** For Tubular E: Connect the other cable coming from the electronic unit at the product base to the transformer. Plug the transformer into the electricity socket.

**(ES)** Para Tubular E: Conecte el otro cable proveniente de la unidad electrónica, en la base del producto, al transformador. Enchufe el transformador a la red eléctrica.

2

**(EN)** After you have connected the power source (battery or transformer) wait 15 seconds in order to allow the system to set the ideal sensor range. As an indication that the self adjusting is taking place, a LED in the sensor eye will flash continuously.

**The solenoid valve will be opened and closed for 1 second as an indication that the ideal sensor range is set and the product is ready for use.**

**(ES)** Una vez conectada la fuente de alimentación (pila o transformador), espere 15 segundos para permitir al sistema establecer el rango idóneo del sensor. El indicativo de que se está realizando el autoajuste es el parpadeo continuo de la luz del sensor.

**La válvula solenoide se abrirá y cerrará durante un segundo como indicativo de que el rango idóneo se ha establecido y que el producto se encuentra listo para su uso**

3

**(EN)** Turn on the central water supply. Check for leaks.

**(ES)** Abra el suministro general de agua. Compruebe que no haya fugas.

**(EN) NOTE:** This product includes a special aerator that allows you to adjust the water stream direction on site in order to prevent water splashing if needed. To change the angle of the water stream, simply move the adjustable tilting plate by pressing it smoothly.

**ATTENTION!** the aerator is tightened to prevent removal by hand.

**(ES) NOTA:** Este producto incluye un aireador especial que permite al usuario ajustar in situ la dirección del chorro de agua en caso necesario, para evitar salpicaduras. Para modificar el ángulo del chorro de agua, simplemente mueva la lámina basculante ajustable con una ligera presión.

**¡ATENCIÓN!** El aireador está fuertemente apretado para evitar que se pueda extraer manualmente.

**(EN)** If the automatically adjusted sensor range is not satisfactory to your purposes, please refer to the section entitled "Settings adjustment".

**(ES)** Si el rango del sensor establecido automáticamente no es el adecuado para usted, consulte el apartado "Modificación de parámetros".





**(EN) TROUBLESHOOTING**

PROBLEM	INDICATOR	CAUSE	SOLUTION
No water coming out of the faucet:	1.Sensor flashes continuously when user's hands are within the sensor's range.	Low battery.	Replace battery
	2. LED in the sensor does not flash once when user's hands are within the sensor's range.	1. Range is too short.	Increase the range
		2. Range is too long.	Decrease the range
		3. Battery is completely used up	The battery must be replaced.
		4. Unit is in "Security Mode"*	
		5. Sensor is picking up reflections from the washbasin or another object.	Eliminate cause of reflection.
3. LED in the sensor flashes once when user's hands are within the sensor's range.	1. Debris or scale in solenoid.	Unscrew solenoid, pull out the plunger and the spring from the solenoid and clean them. Use scale remover material if needed. When replacing the plunger, please make sure that the spring is in vertical position.	
		2. The central orifice in the diaphragm is plugged or the diaphragm is torn	Clean the orifice or replace diaphragm.
		3. The water supply pressure is higher than 8 bar.	Reduce the supply water pressure.
		4. The water supply pressure is under 8 bars and yet the pressure in the faucet's body is higher. This situation could be caused by a sudden increase in the water supply pressure that the backcheck prevents from dropping, even after water supply pressure drops under 8 bars.	Shut off water supply and unscrew one of the flexible pipes in order to reduce the pressure that blocks the product.
Water flow from spout does not stop:	1. Sensor flashes once when user's hands are within the sensor's range.	1. Debris or scale in diaphragm	Clean the orifice or replace diaphragm.
	2. Connectors between the electronic unit and the Dual power input box are disconnected or not connected properly	Connect the connectors properly. Refer to pages 8/13/17 to see how.	
	2. LED in the sensor does not flash once when user's hands are within the sensor's range.	1. Sensor is dirty or covered.**	Clean or eliminate cause of interference.
		2. Sensor is picking up reflections from the washbasin or another object.	Decrease the range or eliminate cause of reflection.
Water flow diminished		Filter or aerator is clogged	Remove, clean, re-install

\* "Security Mode": If the sensor is covered for more than 90 sec. the faucet will automatically shut off water flow. To return to normal operation remove any blockage.

\*\* In this case, the water flow will stop anyway after 90 seconds because of the security time.